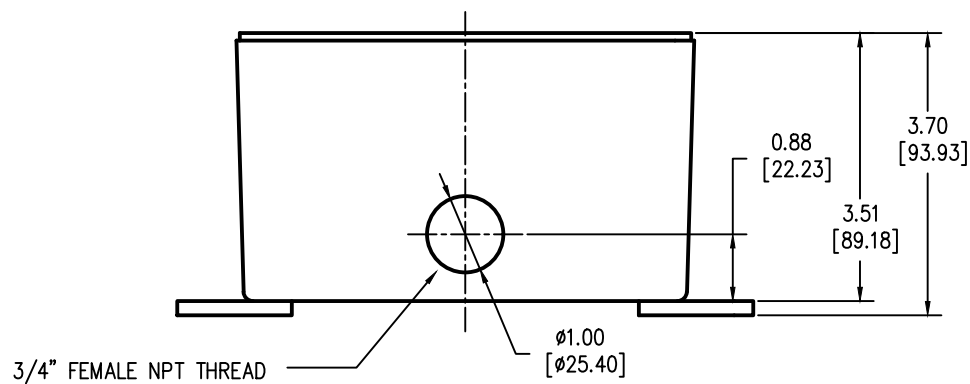
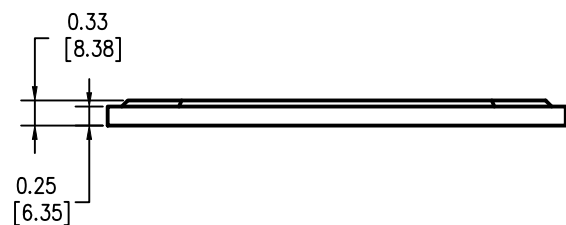
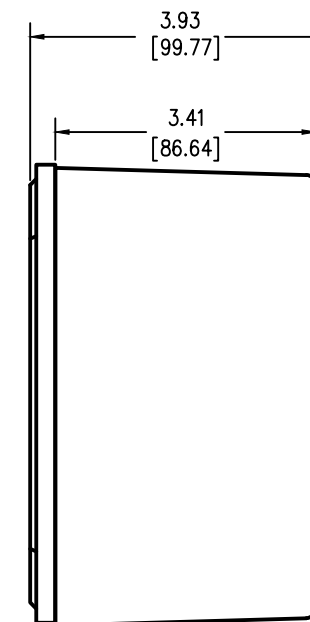
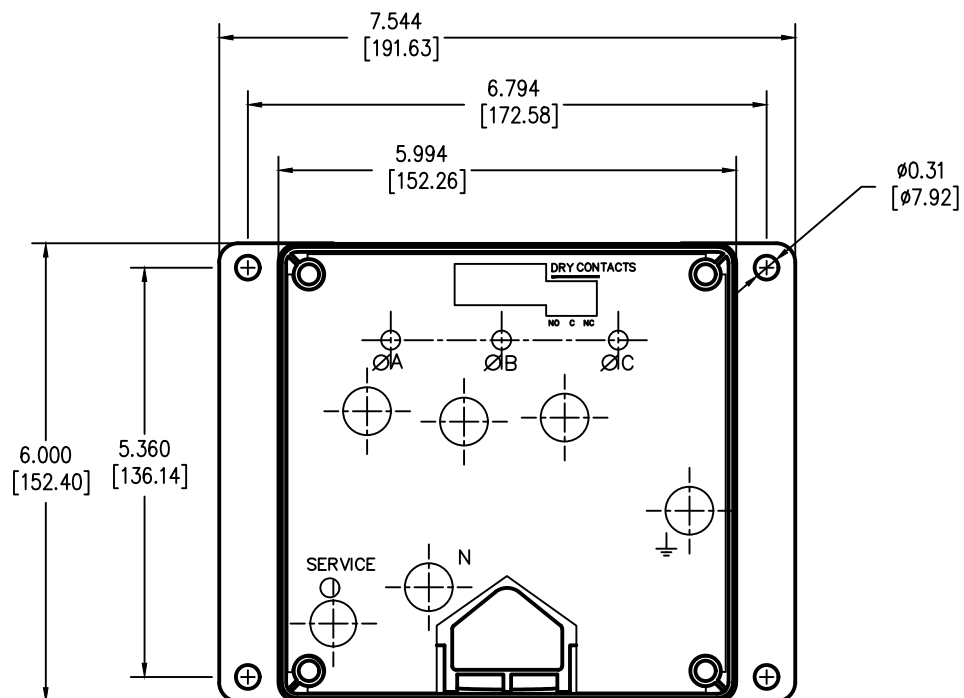
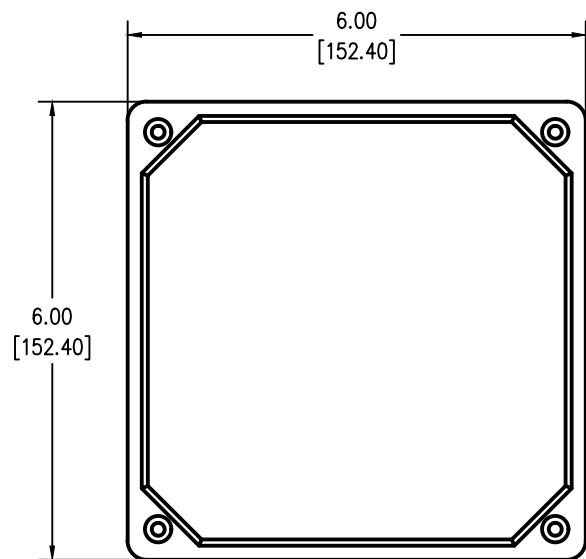
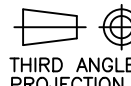


SURGE PROTECTIVE DEVICE (SPD)  
WEIGHTS & DIMENSIONS  
NEMA RATING: 4X NON METALLIC



ENCLOSURE SPECS.:  
DESC: NON-METALLIC ENCLOSURE  
DIM: 6.00"H x 6.00"W x 3.93"D  
MAT: POLYCARBONATE (V2 & F1)  
FINISH: GRAY  
NEMA RATING: 4X  
DEVICE WEIGHT: 4.95LBS. (2.24KG.)

PROJECT NAME:		REV. TO SHEET	ECN NO.	BY	APP.	DATE			
SERIES 400		MODEL 430		 THIRD ANGLE PROJECTION					
XDS SERIES, 100-200k							COMPUTER GENERATED DRAWING		
NEMA RATING: 4X							SCALE	NONE	SIZE
DRAWN BY	HD	DATE	7/18/09	PROPERTY OF ASCO POWER TECHNOLOGIES. USE PERMITTED FOR OUR WORK ONLY. ALL RIGHTS OF DESIGN OR INVENTION ARE RESERVED.		DWG. NO.	DD-TEXD-4X		
CHECKED	MJG	DATE	7/18/09	ASCO <sup>®</sup> ASCO POWER TECHNOLOGIES, L.P. FLORHAM PARK, NEW JERSEY 07932 U.S.A.		DRAWING REV.	1		
PROJECT APPROVAL	MJG	DATE	7/18/09	ASSEMBLY REF. NO.		ECN NO.	266050		
FINAL APPROVAL		DATE		ASSEMBLY REF. NO.		SHEET	1 OF 1		