

IM/CMDBR-PC Issue 4

The Company's policy is one of continuous product improvement and the right is reserved to modify the information contained herein without notice.



© ABB 1999 Printed in UK (3.99)

|   |   |  |
|---|---|--|
| <b>ABB Instrumentation Ltd.</b><br>St. Neots<br>Cambs.<br>England, PE19 3EU<br>Tel: +44 (0) 1480 475321<br>Fax: +44 (0) 1480 217948 | <b>ABB Instrumentation Inc.</b><br>PO Box 20550, Rochester<br>New York 14602-0550<br>USA<br>Tel: Tel: +1 716 292 6050<br>Fax: +1 716 273 6207 | <b>ABB Kent-Taylor SpA</b><br>22016 Lenno<br>Como<br>Italy<br>Tel: +39 (0) 344 58111<br>Fax: +39 (0) 344 58278 |
|---|---|--|

ABB Instrumentation



**Client Warranty**  
Prior to installation, the equipment referred to in this manual must be stored in a clean, dry environment, in accordance with the Company's published specification. Periodic checks must be made on the equipment's condition. In the event of a failure under warranty, the following documentation must be provided as substantiation:  
1. A listing evidencing process operation and alarm logs at time of failure.  
2. Copies of operating and maintenance records relating to the alleged faulty unit.

**Health and Safety**  
To ensure that our products are safe and without risk to health, the following points must be noted:  
1. The relevant sections of these instructions must be read carefully before proceeding.  
2. Warning labels on containers and packages must be observed.  
3. Installation, operation, maintenance and servicing must only be carried out by suitably trained personnel and in accordance with the information given.  
4. Normal safety precautions must be taken to avoid the possibility of an accident occurring when operating in conditions of high pressure and/or temperature.  
5. Chemicals must be stored away from heat, protected from temperature extremes and powders kept dry. Normal safe handling procedures must be used.  
6. When disposing of chemicals ensure that no two chemicals are mixed.  
Safety advice concerning the use of the equipment described in this manual or any relevant hazard data sheets (where applicable) may be obtained from the Company address on the back cover, together with servicing and spares.

**Customer Support**  
ABB Instrumentation provides a comprehensive after sales service via a Worldwide Service Organization. Contact one of the following offices for details on your nearest Service and Repair Centre.  
**United Kingdom**  
ABB Instrumentation Limited  
Tel: +44 (0)1480 475321  
Fax: +44 (0)1480 470787  
**United States of America**  
ABB Instrumentation Inc.  
Tel: +1 716 2926050  
Fax: +1 716 2736207

Information in this manual is intended only to assist our customers in the efficient operation of our equipment. Use of this manual for any other purpose is specifically prohibited and its contents are not to be reproduced in full or part without prior approval of Technical Communications Department, ABB Instrumentation Ltd.  
Although **Warning** hazards are related to personal injury, and **Caution** hazards are associated with equipment or property damage, it must be understood that operation of damaged equipment could, under certain operational conditions, result in degraded process system performance leading to personal injury or death. Therefore, comply fully with all **Warning** and **Caution** notices.

**Use of Instructions**

- Warning.** An instruction that draws attention to the risk of injury or death.
- Caution.** An instruction that draws attention to the risk of damage to the product, process or surroundings.
- Note.** Clarification of an instruction or additional information.
- Information.** Further reference for more detailed information or technical details.

## 1 Introduction

This sheet provides all the information needed to install the PC Configurator software, including start-up instructions and how to connect the instrument to a PC.

## 2 Items Supplied

- a) 3.5 in. Installation disk (qty. 5)
- b) Configurator cable
- c) Instruction sheet

## 3 PC Requirements

**System** – A 486 class machine (minimum) with at least 16Mb hard disk space is required to run this software. Performance depends upon the graphics adaptor, driver and video mode selected.

**Memory** – A minimum of 8Mb is required.

**MS Windows** – Windows 3.xx, 95, 98 or NT.

**Supply Requirements (RS232C Port)** – 4.75V @ 5mA  
(RTC and DTR lines combined)

## 4 Installation

To install the Configurator:

- a) Disconnect the PC from any network (if connected).
- b) Insert the installation disk (disk 1) into a disk drive.
- c) *Windows 3.xx Users only:*  
Select **Run...** from the **File** menu in the **Program Manager**
- d) *Windows 95, 98 and NT Users only:*  
Select **Run...** from the **Start** menu
- e) In the Command Line box, type **a:\SETUP** – if the disk is in drive B, type **b:\SETUP**.
- f) Choose OK.
- g) Follow the instructions on screen.

## 5 Starting the PC Configurator

The PC Configurator is started in the same way as other Windows applications:

- a) Run MS Windows.
- b) *Windows 3.xx Users only:*  
In the Program Manager, open the **Configurator** Program Group window and double-click the **Configurator** icon.
- c) *Windows 95, 98 and NT Users only:*  
Select **ABB Configurator Vx.x** from the **Programs** option in the **Start** menu.
- d) The Configurator starts up in one of two ways:
  - i) If the configurator is being used 'Offline' (i.e. instrument not connected), the instrument type must be selected (i.e. C100, MR250 etc). Click on the required instrument box to proceed to the startup menu.
  - ii) If the Configurator is being used 'Online' (i.e. instrument connected and in Configuration Mode), the instrument type is detected automatically and the startup menu appears.
- e) The startup menu gives three options:
  - i) Create a new configuration
  - ii) Open an existing configuration.
  - iii) Upload a configuration from an instrument.

Click on the required option box to proceed. Online help is available from this point onwards.

## 6 Connecting an instrument to a PC – Fig. 6.1.

Connect the instrument to the PC's RS 232 Port using the cable supplied with the configurator.

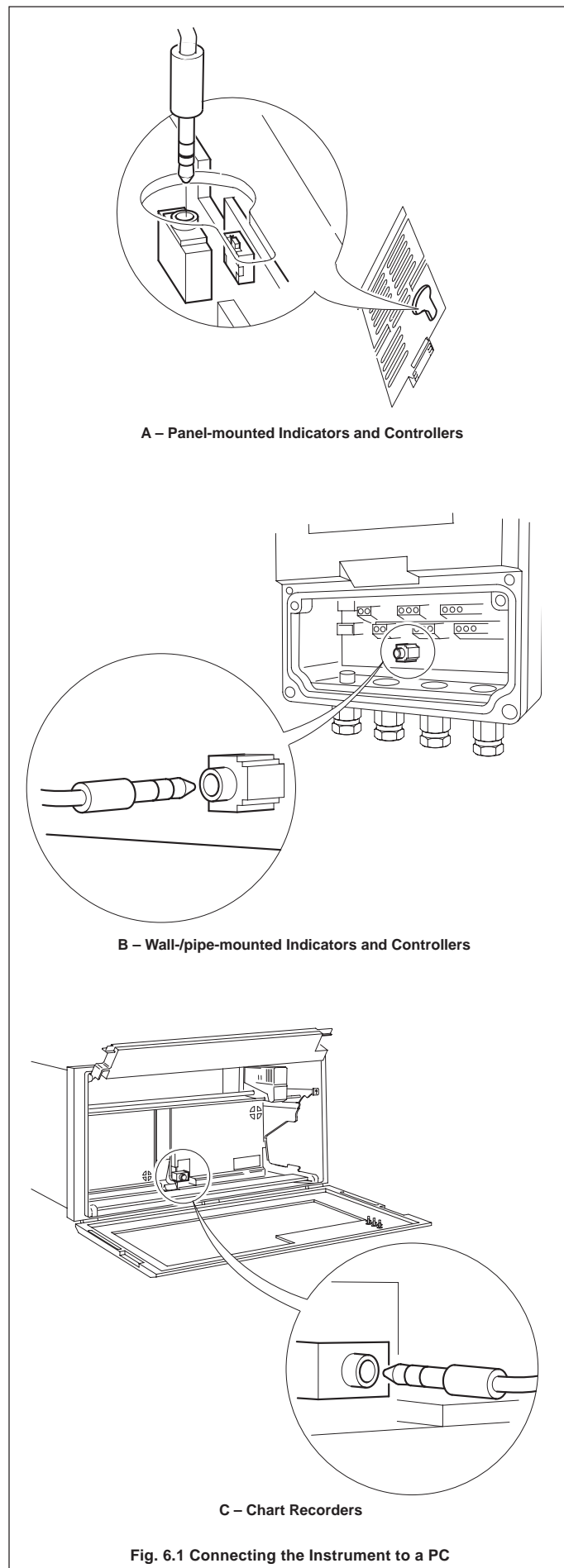


### Information.

- The COM Port being used by the Configurator must be set up in the Options Menu.
- Communication between the instrument and the PC is only possible when the instrument is powered-up and in the Configuration Mode.

## Licensing, Trademarks and Copyrights

MS Windows is a trademark of the Microsoft Corporation



A – Panel-mounted Indicators and Controllers

B – Wall/pipe-mounted Indicators and Controllers

C – Chart Recorders

Fig. 6.1 Connecting the Instrument to a PC